

Masport®

EUROPEAN ROTARY MOWERS SERIES 18 - OPC

	<u>Part number</u>	<u>Model</u>	<u>Engine</u>
MASPORT	573942	350 ST SP Combo	B & S Series 500

Month and Year of First Manufacture - March 2009
SERIAL NUMBER STARTING FROM - 7198877

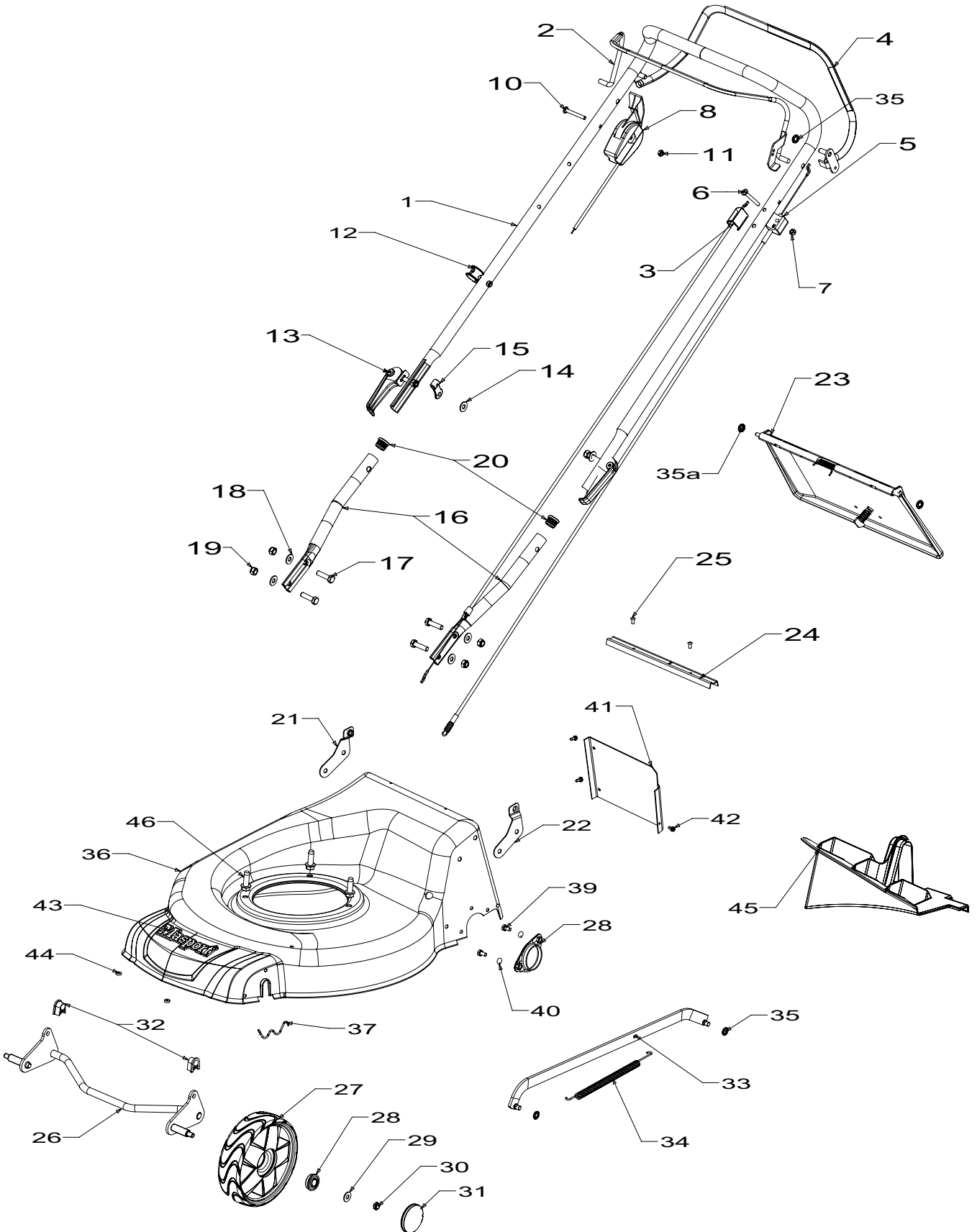




Powered by:
350ST SP Combo : Briggs & Stratton Series 500

Masport

Issue B
Sept 2011 BH
REF # 773942S



When ordering PLEASE QUOTE PART NUMBER & Description, NOT Illustration No.
Determine right or left hand side from standing in operating position (standing at handle)



Powered by:
350ST SP Combo : Briggs & Stratton Series 500

Masport

Issue B
Sept 2011 BH
REF # 773942S

Item No	Part No	Description	Qty	Item No	Part No	Description	Qty
1	781265	Handle-Upper, Upturned - Black	1	36	773134	Housing- Stl 18" XF FS SP Tnm	1
2	981740	Bail Arm Assy, OPC Flatnd	1	37	529674	Retainer-Axle W, Front	2
3	581656	Cable- Engine, OPC Push	1	38	581178	Retainer-Axle, Rear, 600 SP	2
4	982161	Bail Arm Assy, SP	1	39	501959	Screw, Set M6x12 Hex	4
5	582235	Cable-Clutch, ThumbWheel G/box	1	40	500201	Washer, Spring 6	4
6	503604	Screw, Pan M6 x 45	1	41	573131	Tunnel- Gbox Cover 18" ST	1
7	501764	Nut, Nyloc M6	1	42	503630	Screw, S/T 10x0.4	3
8	583458	Control-Throttle, +Ve	1	43	581240	Nameplate	1
10	503604	Screw, Pan M6 x 45	1	44	503150	Clip-Starlock, 5 Dia	2
11	501764	Nut, Nyloc M6	1	45	573278	Insert- Mulching, 18" ST SP	1
12	703856	Comfort Start Kit	1	46	580453	Screw, S/T 3/ 8" x 1 1/8"	3
13	779755	Cam Lock Assy	2			__==__	
14	501606	Washer, Flat 8x19x1.6	2			NOT ILLUSTRATED	
15	581527	Retainer- Clutch Cable	1				
		__==__		569324		Owners Manual	1
16	980692	Handle-Lower, Stub - Black	2				
17	503643	Screw, Set M8x25	4				
18	501606	Washer, Flat 8x19x1.6	4				
19	501793	Nut, Nyloc M8	4				
20	503319	Plug- 22mm, Plastic	2				
21	579298	Bracket- Flap, RH	1				
22	579297	Bracket- Flap, LH	1				
		__==__					
23	782200	Flap Assy, Plastic	1				
24	583151	Dust Seal- Flap	1				
25	581369	Rivet- Pop 4.0x3.2	2				
		__==__					
26	983247	Axle Assy Front, 175mm	1				
27	579196	Wheel Assy-175mm BB Spoked	2				
28	551212	Bearing- Wheel	4				
29	501606	Washer, Flat 8 x 19 x 1.6	2				
30	503831	Nut- Nyloc, M8	4				
31	579198	Hub Cap, Button Spoked - Silver	4				
32	580030	Bush-Pivot, Front Axle	2				
33	773202	Rod Assy-Connecting, 460ST SP	1				
34	581463	Spring-Counter Balance	1				
35	501365	Clip-Starlock, 5/16"	4				
35a	503574	Clip- Starlock, 6mm	2				
		__==__					

Bold Text = Assemblies
Bulleted Text = Items included in Assemblies

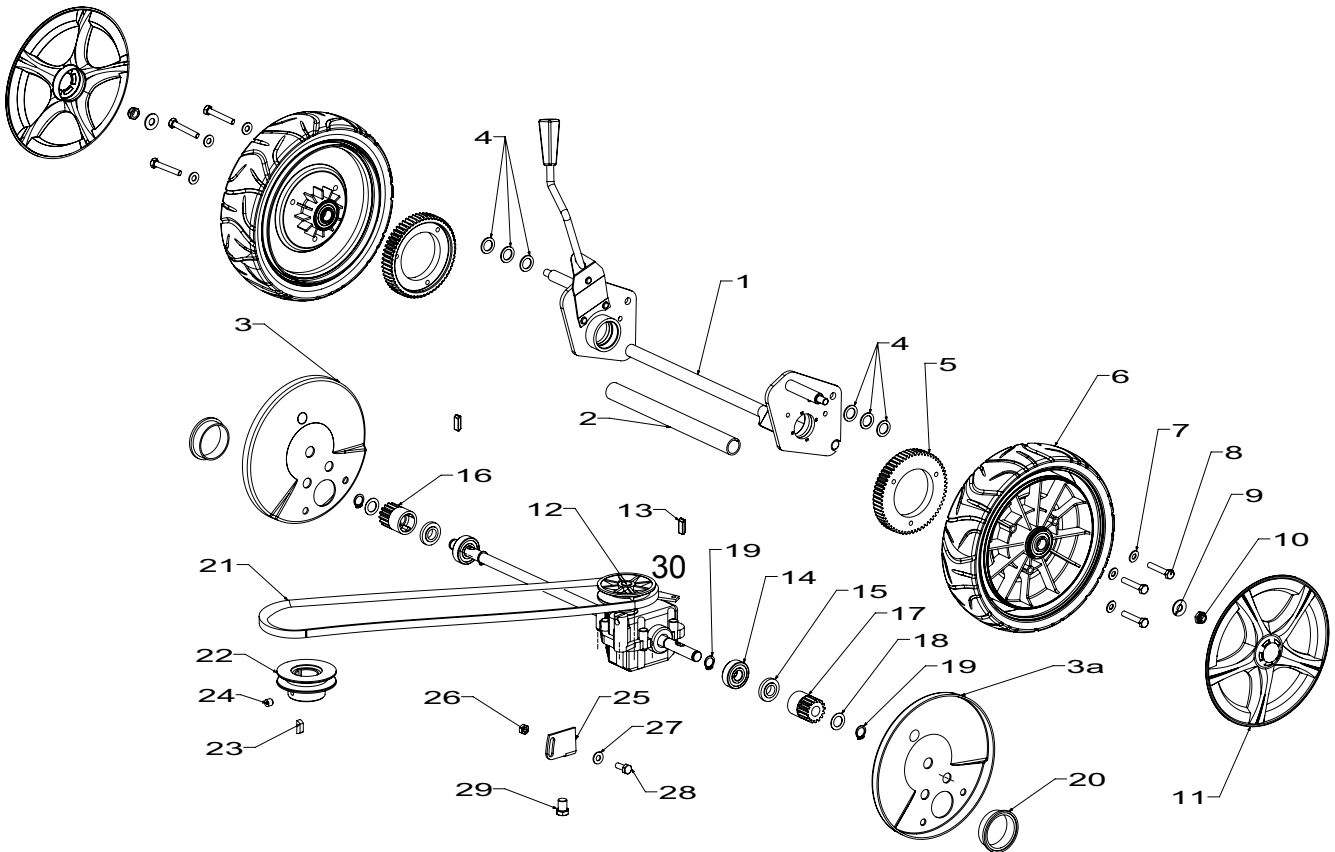
When ordering PLEASE QUOTE PART NUMBER & Description, NOT Illustration No.
Determine right or left hand side from standing in operating position (standing at handle)



Powered by:
350ST SP Combo : Briggs & Stratton Series 500

Masport

Issue B
Sept 2011 BH
REF # 773942S

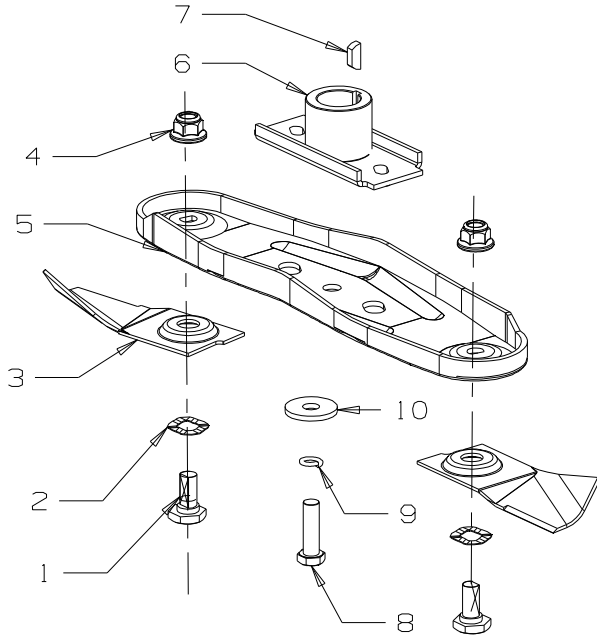


Item No	Part No	Description	Qty	Item No	Part No	Description	Qty
1	773416	Axle Assy,Rear Compl 18"SP	1	12	782170	Gear Box, Single Speed Maxic	1
2	580614	Sleeve, Rear Axle SP	1	13	581092	Pawl, Pinion 950 SP	2
3	579426	Dust, Cover RH + LH MSV SP	1	14	501213	Bearing, 12x32x10 6201 2RS	2
3a	579427	Dust, Cover LH Maxic SP	1	15	581093	Cap, Pinion 950 SP Plastic	2
4	503301	Washer, Flt 1/2x3/4x18	6	16	569178	Pinion L/H 12 Teeth	1
5	569180	Gear, Driving-45 TEETH	2	17	569179	Pinion R/H 12 Teeth	1
6	579070	Wheel Assy- 220mm BB MSV SP	2	18	503102	Washer, Flat 12x20x0.4	2
7	501703	Washer, Flat 6x14x1.2	6	19	503759	Circlip, 12 EXT DIN 471	4
8	501815	Screw, Set M6x35	6	20	580091	Bush- Pivot, Rear Axle	2
9	501606	Washer, Flat 8x19x1.6	2	21	557257	Belt-V PIX 'X' TRA 800	1
10	503831	Nut, M8 Nyloc 6 Thck	2	22	582515	Pulley-Engine, 7/8Bx79Dx34.5H	1
11	579207	Hub Cap, 220mm MSV SP Silv	2	23	500636	Key- W/Ruff 5/8x5/32x1/4	1
		__==__		24	503386	Screw, Grub M8x8	1
				25	583496	Mount, Gearbox MSV SP	1
				26	503973	Nut, M6 Nyloc Flange	1
				27	501703	Washer, Flat 6x14x1.2	1
				28	501702	Screw, Set M6x16	1
				29	501863	Screw, Set M8x12	1
						__==__	
				30	783249	Pulley-Tra,Reduct	

When ordering PLEASE QUOTE PART NUMBER & Description, NOT Illustration No.
Determine right or left hand side from standing in operating position (standing at handle)

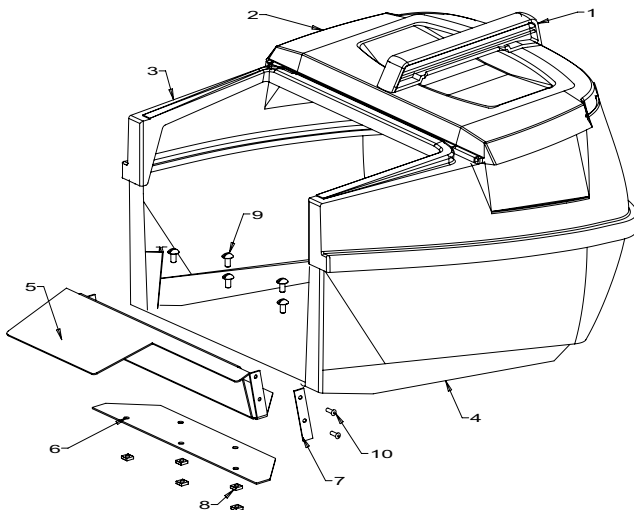


460mm Quick Cut Blade Assembly



Item	Part No	Description	Qty
1	581707	Bolt-Blade	2
2	580693	Washer, Wavy 13.4 x 24.2	2
3	583049	Blade, Quick Cut - 460mm	2
4	503672	Nut, Flange Nyloc M10	2
5	980653	Carrier, Blade Quick Cut	1
6	014173	Driver Assy-Blade - 7/8	1
7	500636	Key, Woodruff - 5/8" x 5/32" x 1/4"	1
8	581610	Screw, Set NF 3/8" x 1.25 NYG8	1
9	500204	Washer, Spring 3/8"	1
10	503667	Washer, Flat 9.75 x 30 x 4	1

Catcher Assembly Plastic



Item	Part No	Description	Qty
1	580673	Catcher-Handle	1
2	580674	Catcher- Lid 18"	1
3	579117	Catcher-Top 18"	1
4	982364	Catcher-Bottom,460STSP	1
5	573133	Lip-Catcher, 460 ST SP	1
6	582222	Lip-Catcher, Backing Plate	1
7	582223	Plate-Rivet,CatcherBacking	2
8	502098	Nut, M6 Squ Pressed	5
9	503591	Screw, Pan M6x12 Poz	5
10	501303	Rivet- Pop 4.0x7.9	4